

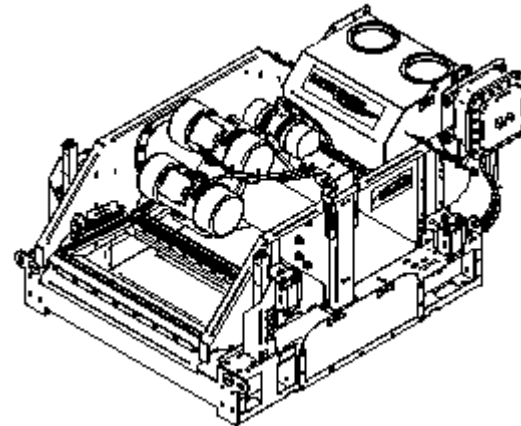
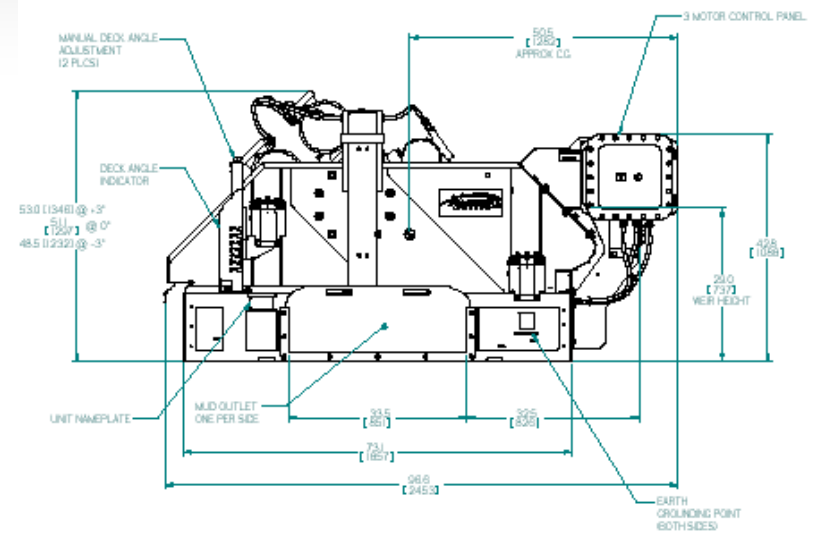
MEERKAT PT™

- Market
- Design Features
- Other Features & Benefits



MEERKAT PT™

- Specifications
- Basket
- Platform Skid
- Cable Tower
- Spring Brackets/Spring Spools
- Deck Adjustment
- Screen Locking System
- Feeder Option



Design Features: MEERKAT PT™ Specifications

- Motion Type = 6.9G Linear;
5.7G Balanced Elliptical
- Vibration Speed = 1800/1500
RPM (60/50 Hz Power
Supply)
- Weight = 3108 lbs (1413 Kg)
- Gross Screen Area = 22.0 sq-ft
(2.0 sq-m)
- Non-Blanked (API) Screen
Area = 15.9 sq-ft (1.5 sq-m)
- Deck Adjustment Range =
-3 to +3 Degrees
- Basic Fluid Capacity = 500
GPM (1872 L/min)
- Weir Height = 29.0" (737mm)

